

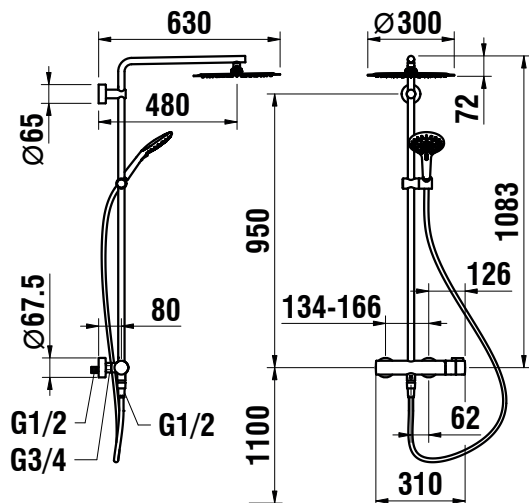
**Thermostatic showerstation  
with accessories  
3.3362.7.004.536.1  
without accessories  
3.3362.7.004.500.1**



**TECHNICAL DATA**

Order no.	3.3362.7.004.536.1 / with accessories 3.3362.7.004.500.1 / without accessories	Specification	thermostatic showerstation temperature handle with safety button 38°C the mixer does not become hot intrinsically safe against backflow
Gauge	134 - 166 mm	Accessories incl.	order no. 3.3362.7.004.536.1 – complete with round slim rain shower head Ø300 mm, flexible hose 1500 mm and handshower MyTwin120
Connection	1/2"	Mounting acc. incl.	wall connections
Hose connection	1/2" (DN15)	Surface finish	chrome
Flow rate	showerhead: 11 l/min (3 bar) handshower: 10 l/min (3 bar)		
Acoustic class	showerhead: handshower:		

**TECHNICAL DRAWINGS**



ECHELLE 2:105